

Medium Bi-Pin Lampholders



591 Series Side Entry Lampholders

Specifications

Rating: 660 Watts, 600 V

Listing: UL File No. E-13408; CSA File No. LR95423

Mounting: Bracket mounting, preassembled bracket with 6/32" thread or .156" clearance hole for T8 or T12 lamps.

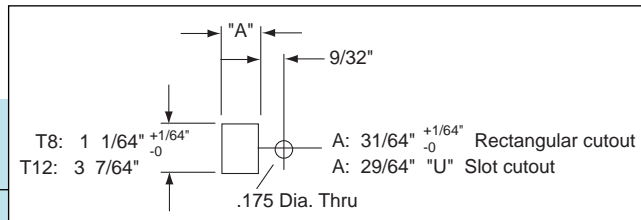
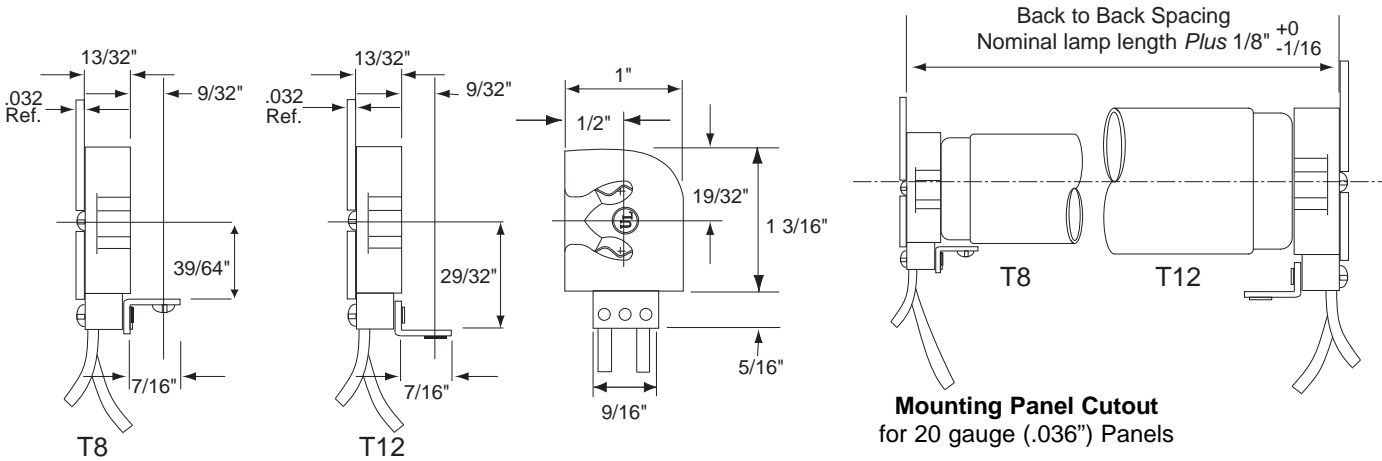
Materials:

Housing: White urea

Contacts: Copper alloy, surface wipe configuration

Termination: Lead wires 9" (228.6 mm) long, 18 AWG stranded and tinned lead wires, 1/2" stripped, standard.

Wire rated: AWM 600 V, 105°C (221°F).



Kulka® 591 Series

Left Part No.	Right Part No.
---------------	----------------

T8 Lamps

591.LT8	591.RT8	Bracket mount, 9" lead wire standard, 6/32 tapped thread
591.LT8CLH	591.RT8CLH	Bracket mount, 9" lead wire standard, .156" dia. clearance hole

T12 Lamps

591.LT12	591.RT12	Bracket mount, 9" lead wire standard, 6/32 tapped thread
591.LT12CLH	591.RT12CLH	Bracket mount, 9" lead wire standard, .156" dia. clearance hole

Packed 500/ box. **Special lead wire lengths available upon request, consult sales department.**
Bracket not sold separately. Supplied with No. 6/32 x 1/4" mounting screws in bulk (p/n 8063.208.001)