

# Medium Bi-Pin Lampholders



## 1717 Series Low Profile, Straight Insertion

### Specifications

**Rating:** 660 Watts, 600 V

**Listing:** UL File No. E-13408;  
CSA File No. LR95423

**Mounting:** Slide-on for either 18 or 20 gauge panels  
(top slot 20 gauge, bottom slot 18 gauge), or screw mount

### Materials:

**Housing:** White urea

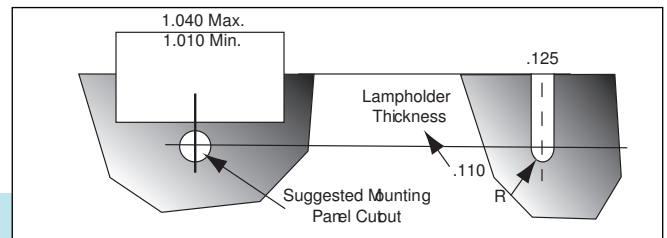
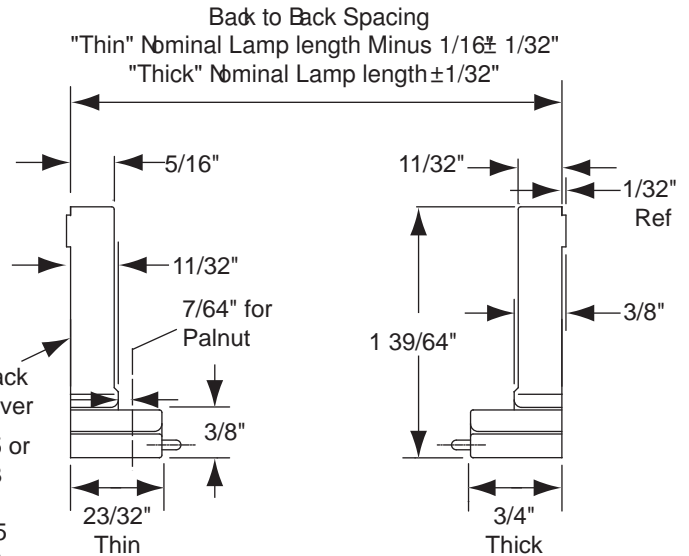
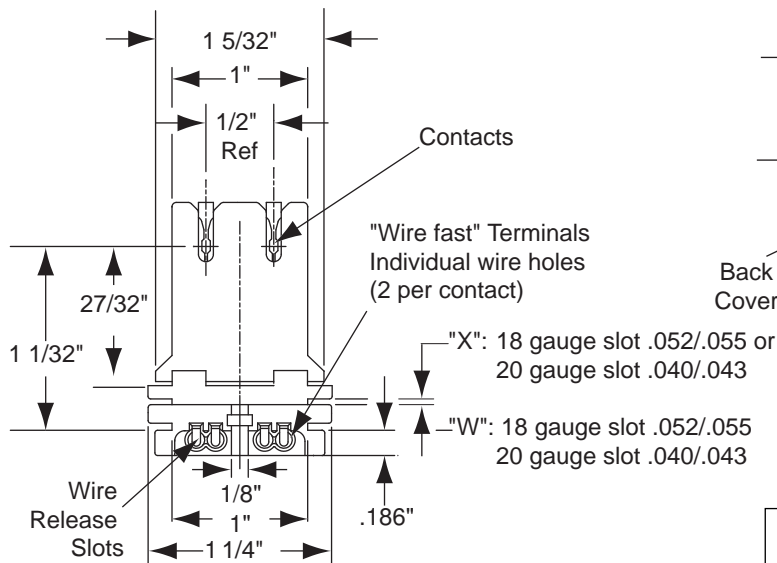
**Contacts:** Copper alloy

**Termination:** "Wire fast" terminals for No. 18 AWG stranded  
(twisted, tinned and solder dipped or fused) or No. 18 AWG solid  
copper wire with 3/8" strip length.

1717.C



**Special:** Item can be factory wired per customer specifications for length, strip and wire material.



## Kulka® 1717 Series

Part No.

1717.C	Slide-on or screw mount for either 20 gauge or 18 gauge panels
1717.CP	Slide-on or screw mount for either 20 gauge or 18 gauge panels with No. 4-36 Palnut
1717.CPS	Slide-on or screw mount for either 20 gauge or 18 gauge panels with No. 4-36 Palnut with screws (No. 4-36 x 3/8" screws supplied in bulk)
1717.CT	Slide-on or screw mount for either 20 gauge or 18 gauge panels with 3/8" body thickness
1717.CPT	Slide-on or screw mount for either 20 gauge or 18 gauge panels with 3/8" body thickness with #4-36 palnut

Packed 1250/ box. No. 4-36 x 3/8" screws sold separately p/n: **8043.612.002.**