

Medium Bi-Pin Lampholders



1800C Series Low Profile

Specifications

Rating: 660 Watts, 600 V

Listing: UL File No. E-13408; CSA File No. LR95423

Mounting: Slide-on slots for 18 or 20 gauge panels (top slot 20 gauge, bottom slot 18 gauge), with or without palnut

Materials:

Housing: White urea

Contacts: Copper alloy, edge wipe configuration

Termination: "Wire fast" terminals for No. 18 AWG stranded (twisted, tinned and solder dipped or fused) or No. 18 AWG solid copper wire with 3/8" strip length.

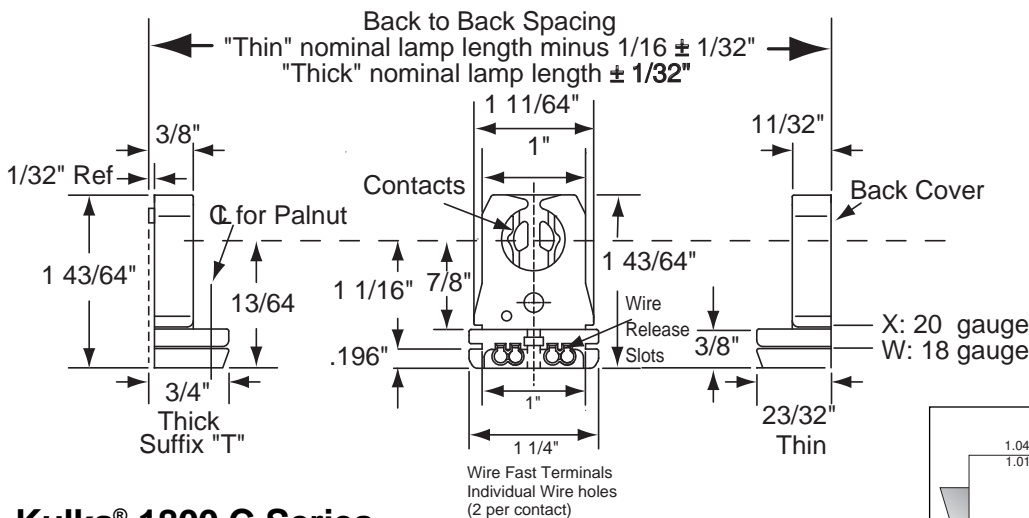
Special: Item can be factory wired per customer specifications for length, strip and wire material.

1800.C



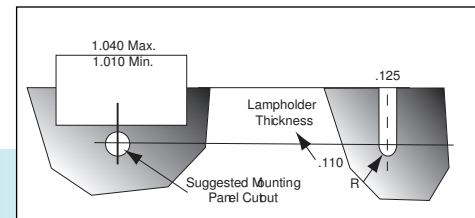
1800.CP

1800.CSC



	X	W
1800.C	20 awg	18 awg
1800.18*	18 awg	18 awg
1800.20*	20 awg	20 awg

*Both slots are dedicated
 18 awg = .052/.055
 20 awg = .040/.043



Kulka® 1800.C Series

Part No.

Combination 20 and 18 gauge

1800.C	For T8 and T12, 20 gauge top slot, 18 gauge bottom slot	
1800.CP	For T8 and T12, 20 gauge top slot, 18 gauge bottom slot with #6-32 palnut	
1800.CT	For T8 and T12, 20 gauge top slot, 18 gauge bottom slot with 3/8" body thickness	
1800.CPS	With #6-32 palnut for T8 and T12, 20 gauge top slot, 18 gauge bottom slot with No. 6-32 palnut	
1800.CSC	For T8 and T12, 20 gauge top slot, 18 gauge bottom slot with spring clip mounting	

Part No.
18 gauge

20 gauge (Dedicated Slots)

1800.18	1800.20	For T8 and T12, dedicated 18 or 20 gauge both slots
1800.18P	1800.20P	For T8 and T12, dedicated 18 or 20 gauge both slots with #6-32 palnut
1800.18T	1800.20T	For T8 and T12, dedicated 18 or 20 gauge both slots with 3/8" body thickness (No.6-32 x 1/2" screws supplied in bulk)

Packed 1250/ box. #6-32 x 1/2" screws sold separately p/n: 8063.216.001.