

Medium Bi-Pin Lampholders



1801 Series Turn-Type Lampholders

Specifications

Rating: 660 Watts, 600 V

Listing: UL File No. E-13408;
CSA File No. LR95423

Mounting: Self retaining 6/32" mounting nut
(6/32" x 1/2" screws are available separately in bulk)

Mounting: Screw-On, bi-pin

Materials:

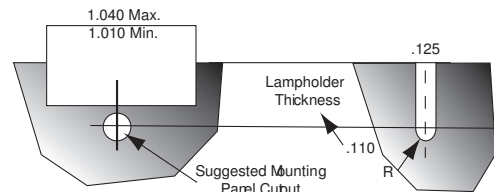
Housing: White urea

Contacts: Copper alloy, edge wipe configuration

Termination: "Wire fast" terminals for No. 18 AWG stranded (twisted, tinned and solder dipped or fused) or No. 18 AWG solid copper wire with 3/8" strip length.

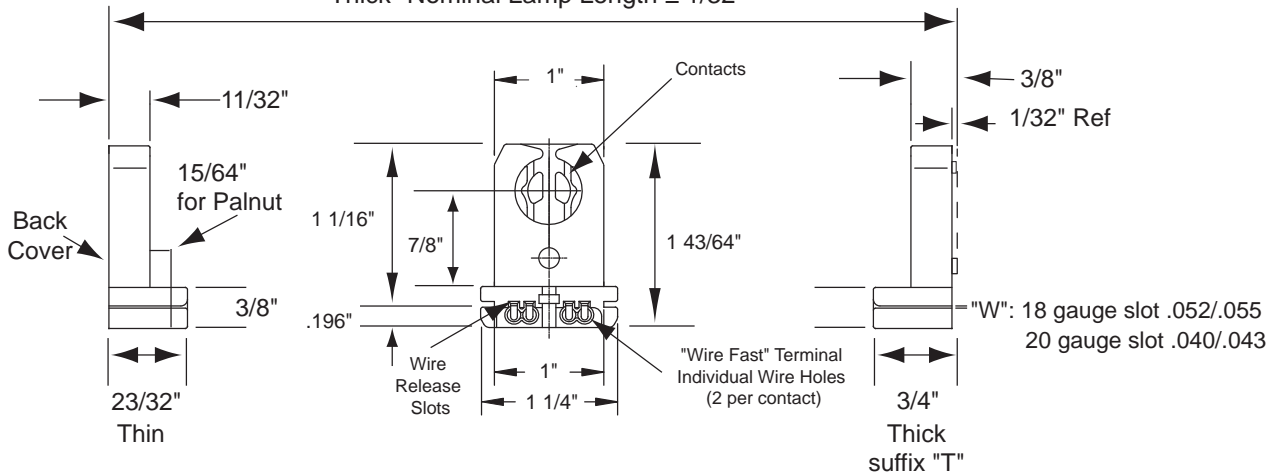
Special: Item can be factory wired per customer specifications for length, strip and wire material.

1801.P Series



Back to Back Spacing

"Thin" Nominal Lamp Length minus 1/16 ± 1/32"
"Thick" Nominal Lamp Length ± 1/32"



Kulka® 1801 Series

Spring
Part No.

1801.P	Turn-lock, low line tombstone style wiring socket with pre-assembled #6-32 palnut, 23/32" thick.
1801.PT	Turn-lock, low line tombstone style wiring socket with pre-assembled #6-32 palnut, 3/4" thick.

1250/ box. 6/32 x 1/2" mounting screws supplied in bulk, Part No.:8063.216.001.